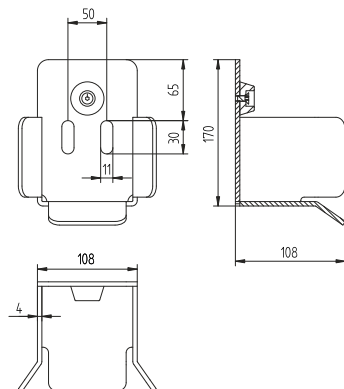
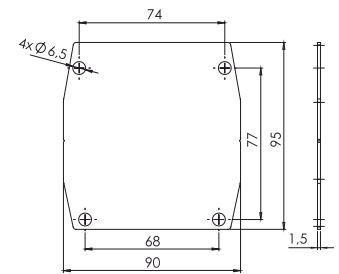
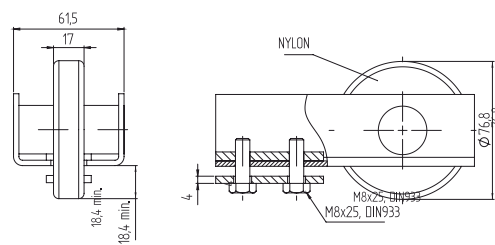
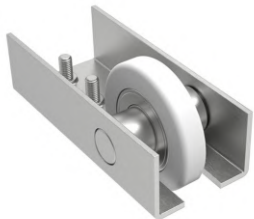
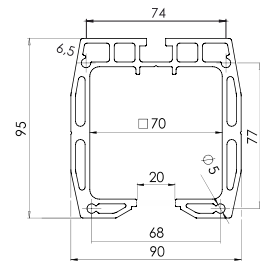
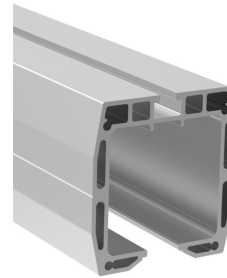
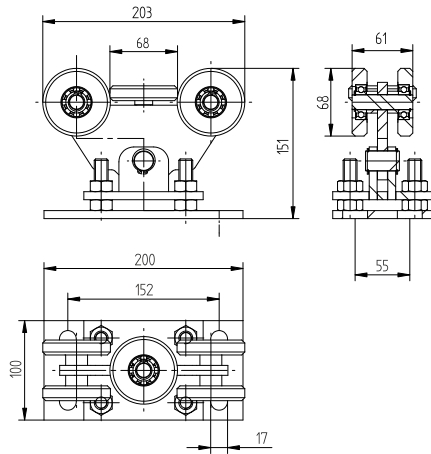
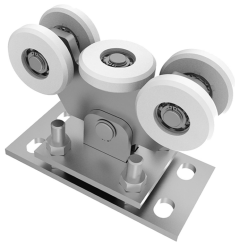
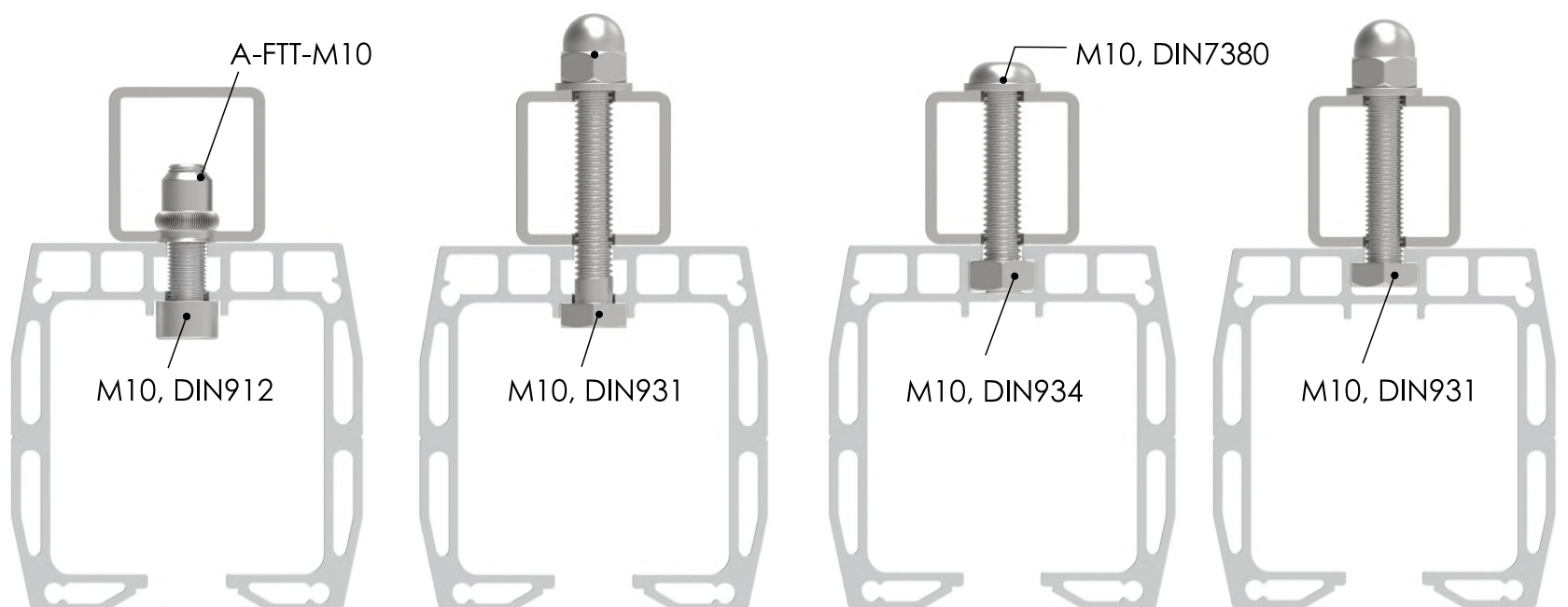
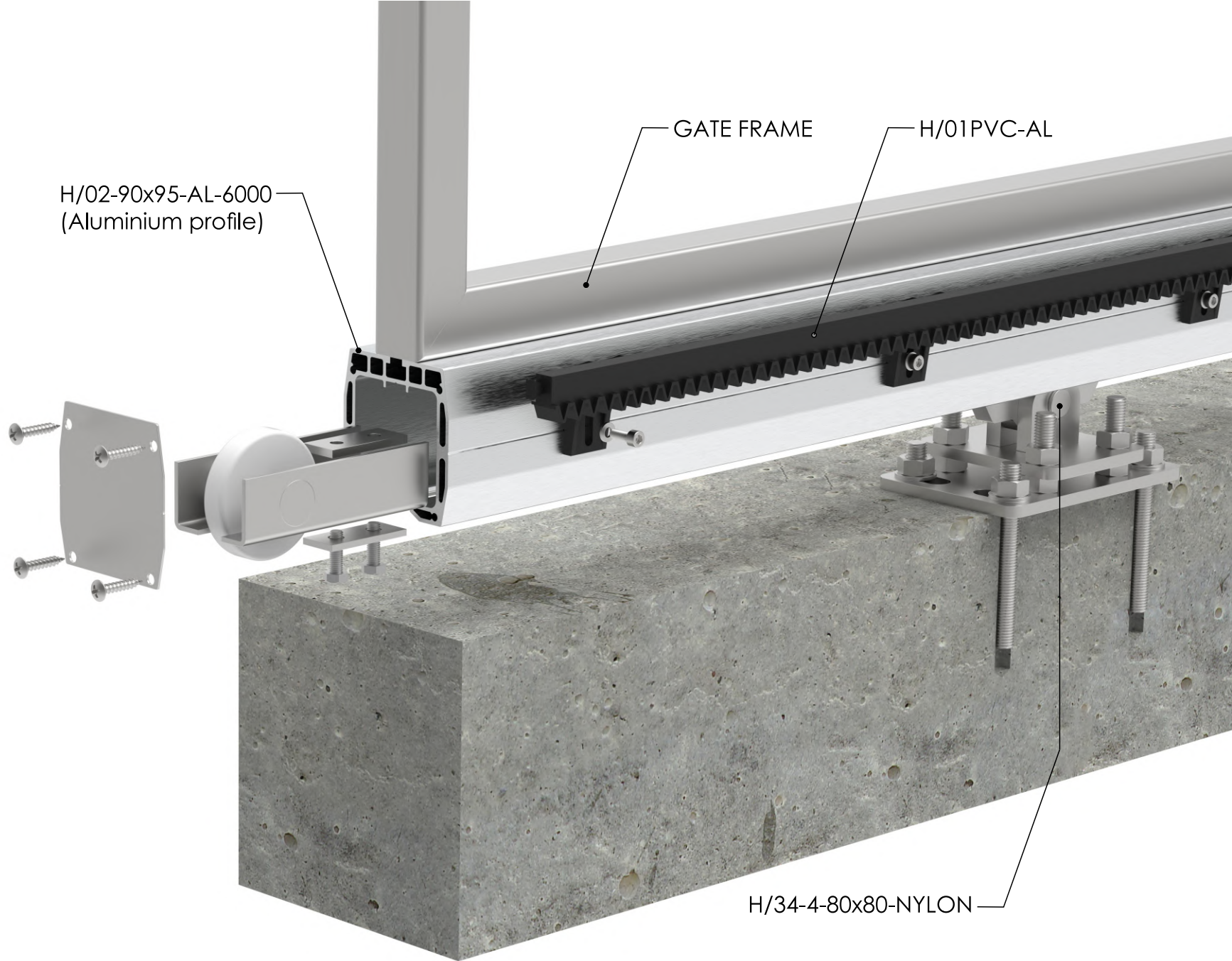


# ALUMINIUM CANTILEVER GATES



<b>MODEL AI</b> <b>90x95</b> <b>L4m/Gc200kg</b> 					
	<b>SV-90x95-AL-ECO</b>				<b>H/02-90x95-AL-6000</b>
<b>SV-90x95-AL-ECO</b>	2x	1x	1x	2x	-
<b>SV-90x95-AL</b>	2x	1x	1x	2x	1x





VARIOUS OPTIONS FOR MOUNTING FRAME to ALUMINIUM PROFILE **H/02-90x95-AL-6000**